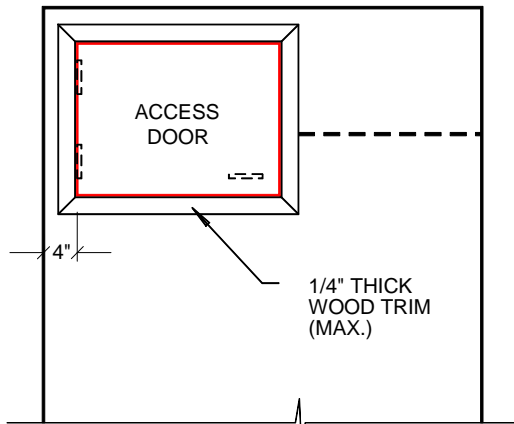
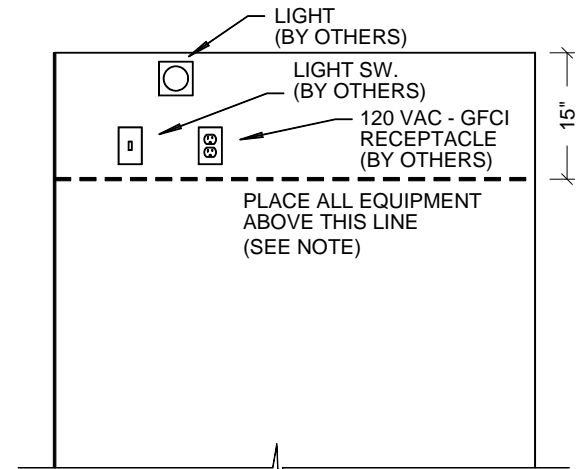


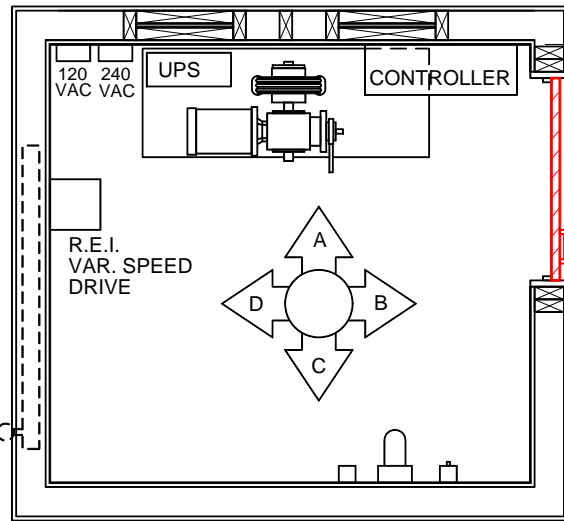
ELEVATION VIEW 'A'



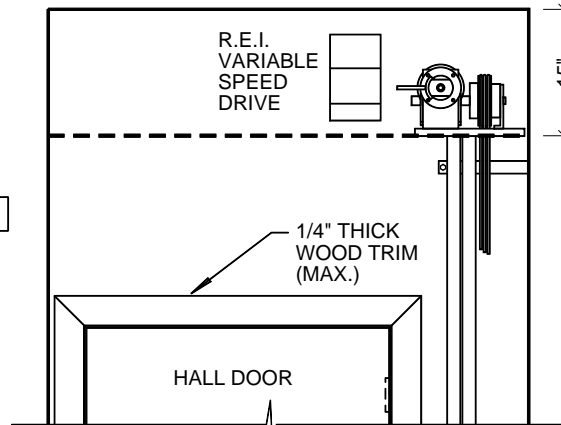
ELEVATION VIEW 'B'



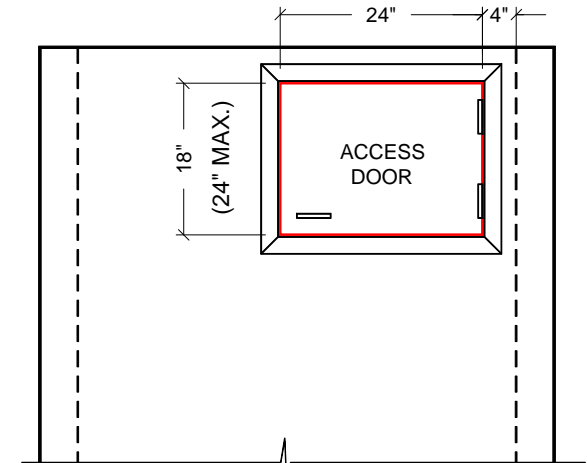
ELEVATION VIEW 'C'



PLAN VIEW



ELEVATION VIEW 'D'



ELEVATION VIEW 'E'

NOTE: LIGHT FIXTURE, LIGHT SWITCH, RECEPTACLE AND ELEC. BOXES CANNOT BE MOUNTED LOWER THAN 15" LINE FROM CEILING.

NOTE: THESE ARE MINIMUM OVERHEAD CLEARANCES. HIGHER CEILINGS WILL ALLOW MORE ROOM FOR DEVICE MOUNTING.

ALL DIMENSIONS ARE BASED ON 102" OVERHEAD FOR STD. CABS AND 114" OVERHEAD FOR 8'-0" CABS



LUXURY LIFT LLT TRACTION

DRAWN:	CHECKED:	DATE:	REVISION
G.P.	F.P.	03/11/11	REMOVE DISCONNECTS, ADD 4X4 BOXES
G.P.	F.P.	05/03/12	MOVE ACCESS DOOR & ELEC. BOXES
G.P.	F.P.	06/04/10	ADD LLT DESIGNATION
PART NAME:			DRAWING NUMBER
ACCESS DOOR / EQUIPMENT ACCESS DOOR OPPOSITE HALL DOOR LH RAIL APPLICATION			HOR AD 04